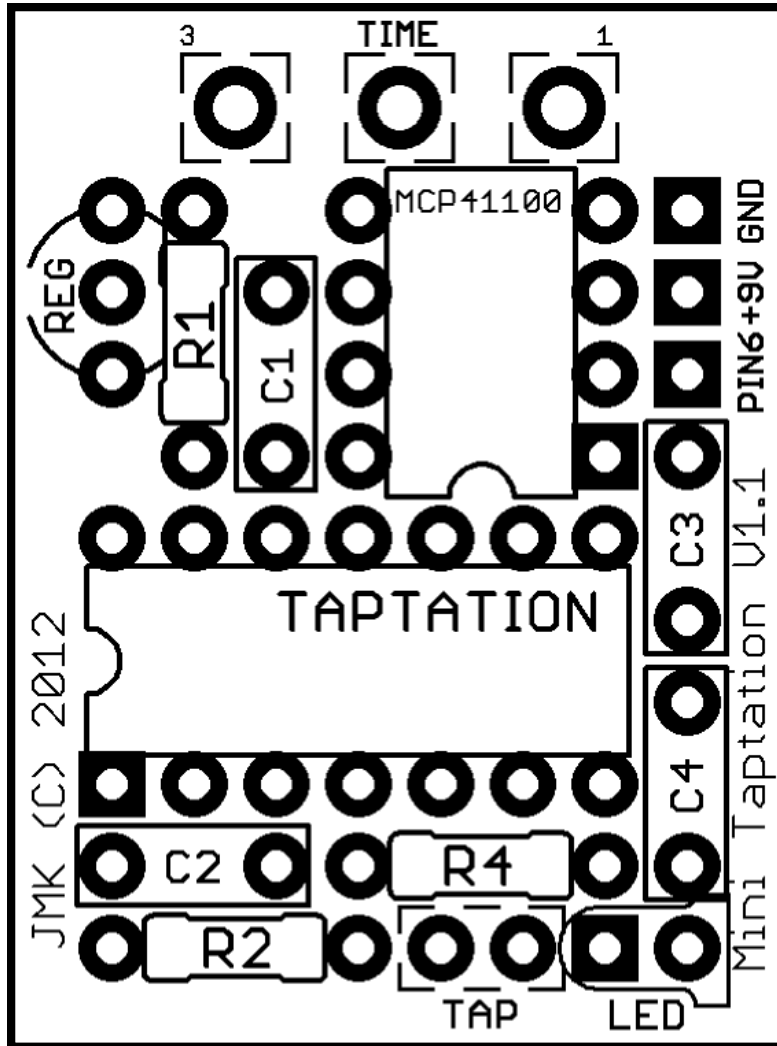


JMK PEDALS PRESENTS...

MINI TAPTATION

PCB AND SCHEMATIC ARTWORK (C) 2013 JMK PEDALS
VERSION 1.1: 01/21/2013



Resistors

R1	1K	R4	4.7K
R2	100K		

Capacitors

C1	100nF	C3	100nF
C2	100nF	C4	100nF

ICs

IC1	MCP41100
IC2	TAPTATION

Potentiometers

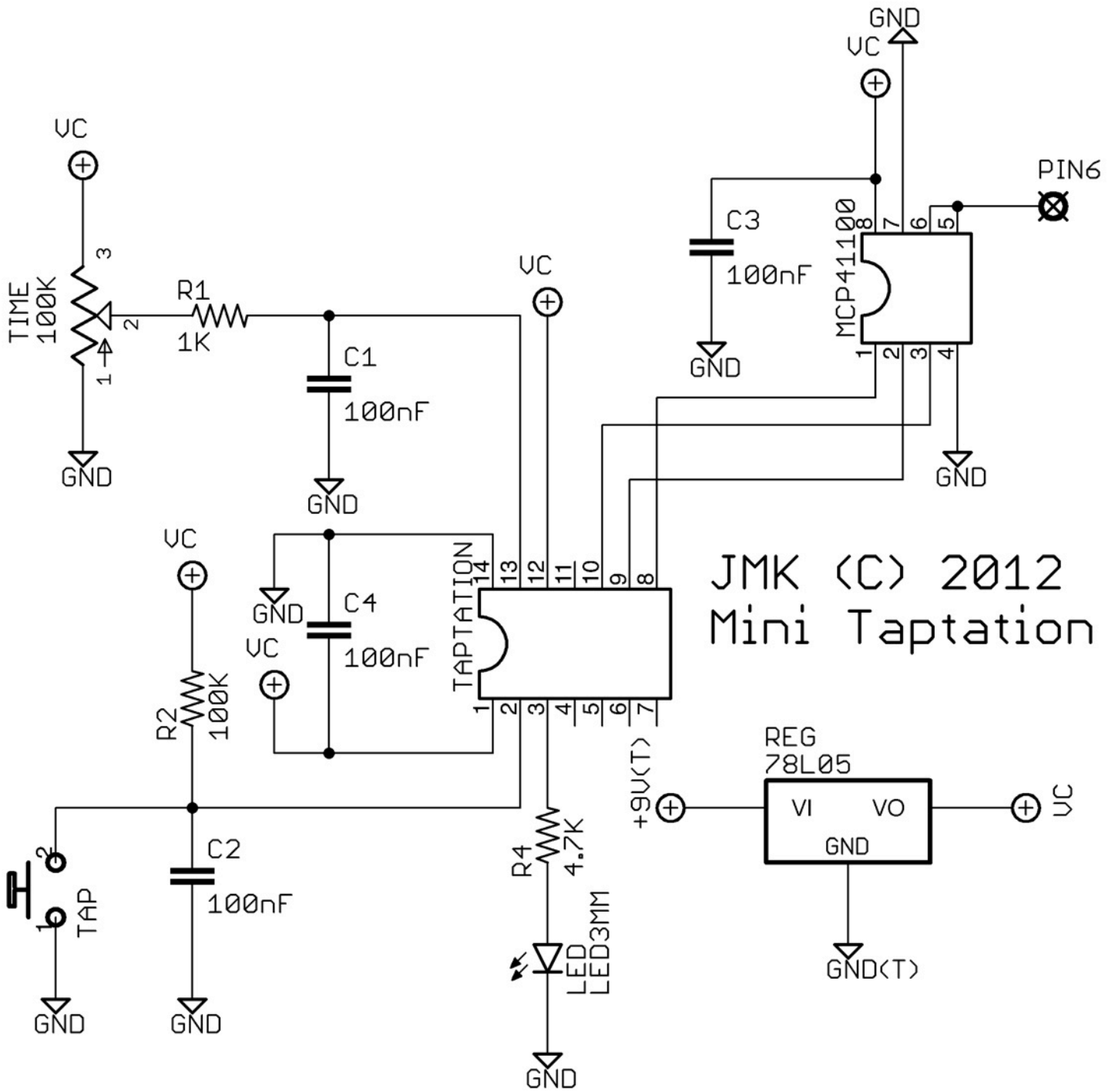
TIME	B100K
------	-------

Regulator

REG	78L05
-----	-------

Switch

TAP	SP Open Momentary
-----	-------------------



This Document is designed for personal use only! Do not use this to create a product for sale without permission of it's owner: jacobkokura@gmail.com

BUILD NOTES

- The Taptation Project is designed to be used with the Taptation chipset. The Taptation chips are available from the DIY Stompboxes store, found [here](#).
- Please note that this project is designed to work with at PT2399 based Delay. There are many options available, and JMK PCBs has (or will have) a Delay project which you can seamlessly integrate with the Taptation PCB of your choice. Please note that the Taptation chips may also be used to integrate into other effect projects, so don't feel you need to limit your creativity to DIY tap tempo delay projects!
- The Documentation for the Taptation chipset are not needed to include this project with the delay project of your choice. However, the datasheets and applications sheets could be helpful for you if you want to integrate this PCB into a non standard project:
 - [Taptation Datasheet/Application Sheet](#)
 - [PT2399 Application sheet](#)
- R4 merely acts as Current Limiting Resistors (CLR) for the LED. Raising the value of the resistor will result in a dimmer LED brightness.
- Hooking up the PCB is pretty simple, but to clarify the Pads: Pin6 = the connection to your PT2399 Pin 6 (the JMK Delay Project has an Pin 6 pad that connects here); +9V = 9V input; G = Ground for DC Jack; TAP = Pads for a normally open momentary switch
- The LED indicator for this PCB flashes in time with your repeats. It is not recommended that you hook these LEDs up to a switch, but rather leave them in always flashing mode.