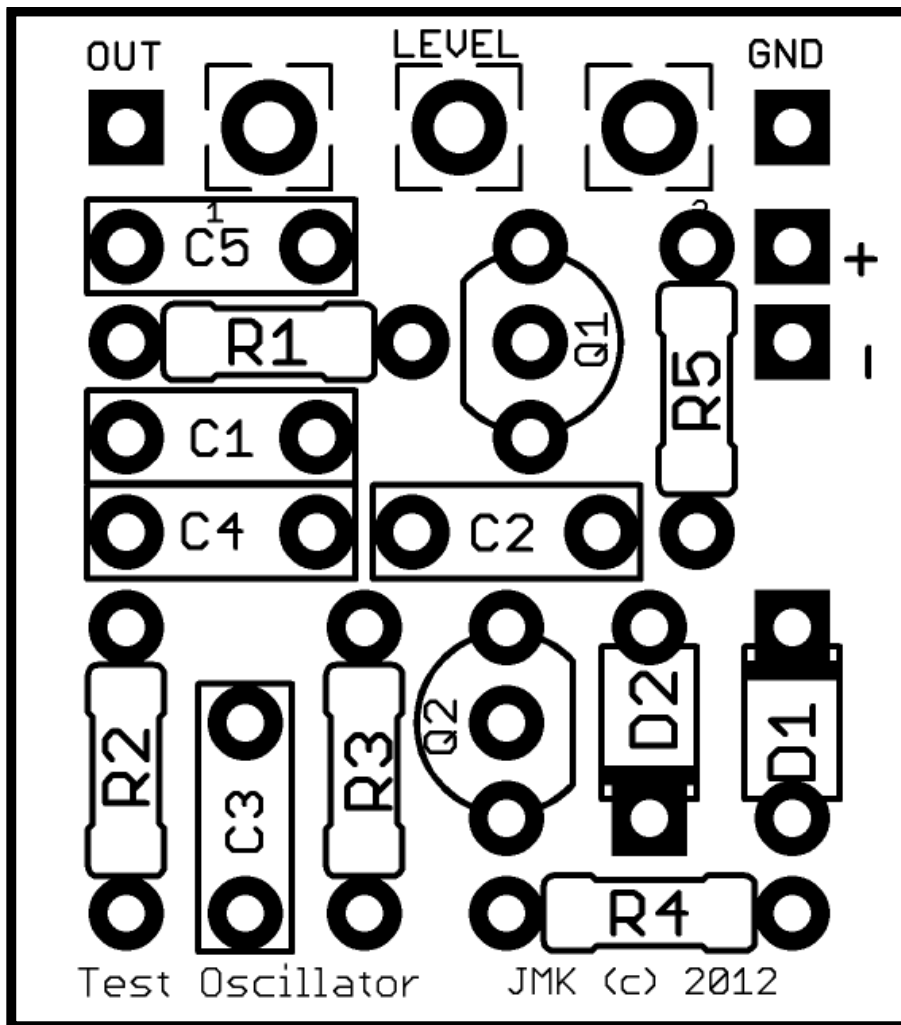


JMK PCBs PRESENTS...

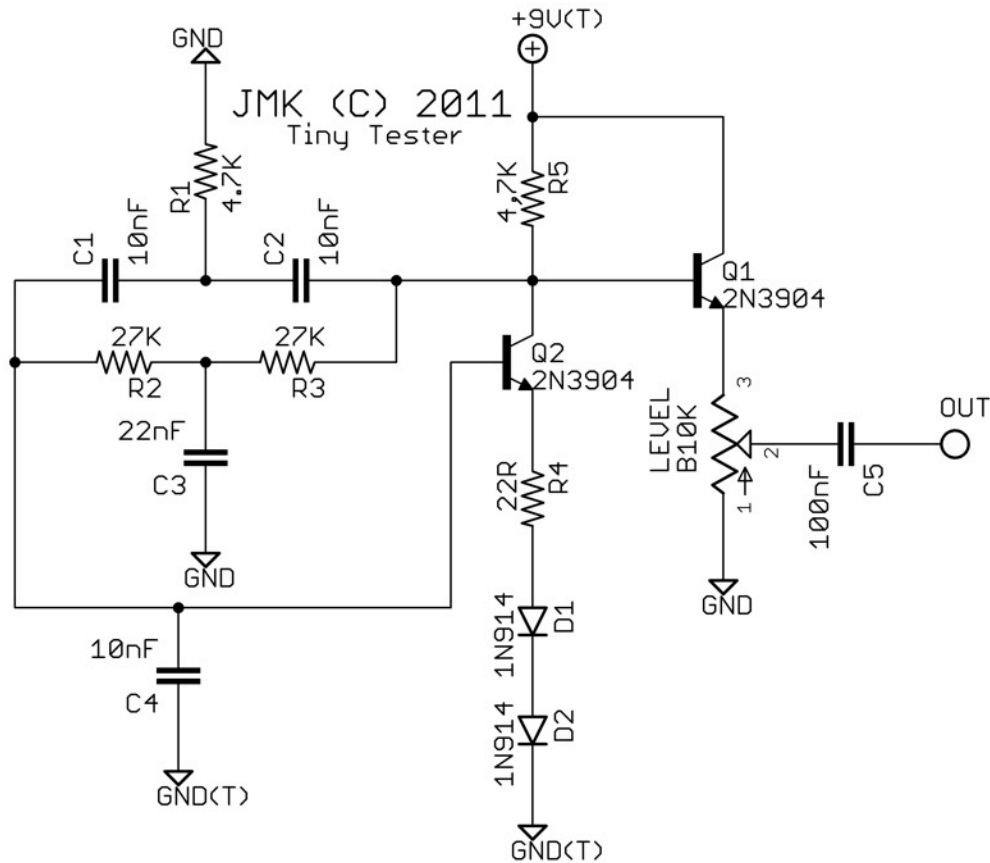
TINY TESTER

PCB AND SCHEMATIC ARTWORK (C) 2012 JMK PEDALS
VERSION 1: 6/25/2012



Resistors		Capacitors		Transistors	
R1	4.7K	C1	10nF*	Q1, Q2	2N3904
R2	27K	C2	10nF*	Potentiometer	
R3	27K	C3	22nF*	GAIN	10K
R4	22R	C4	10nF	Diodes	
R5	4.7K	C5	100nF	D1, D2	1N914

This Document is designed for personal use only! Do not use this to create a product for sale without permission of it's owner: jmkpcbs@gmail.com



BUILD NOTES

- The Tiny Tester is a simple sine wave generator. It is designed to give you a single tone that will allow you to create a constant sound. This is especially helpful while building other guitar effects, as it allows you to run sound through your pedals instead of needing to strum a guitar constantly while you test or tweak your effect.
- You may find that the frequency of the sine wave is too high with the stock values given above. The way to lower the frequency is by doubling or quadrupling C1, C2 and C3. For example, use 47nF caps C1 and C2, and a 100nF cap for C3 for great results.
- You can use a SPST switch to turn the power on and off, this will turn the 'effect' on and off. You can also use typical bypass switching, though there is no need for an 'input' throw. A DPDT or SPDT can be used for the bypass instead.
- Use an A10K pot if you want finer control over the output of the effect.
- This effect and layout was created by adapting a project found on the Geofex website, and has been made public with the permission of R.G. Keen who maintains Geofex. Credit should go to him for the idea and original posting of the schematic.