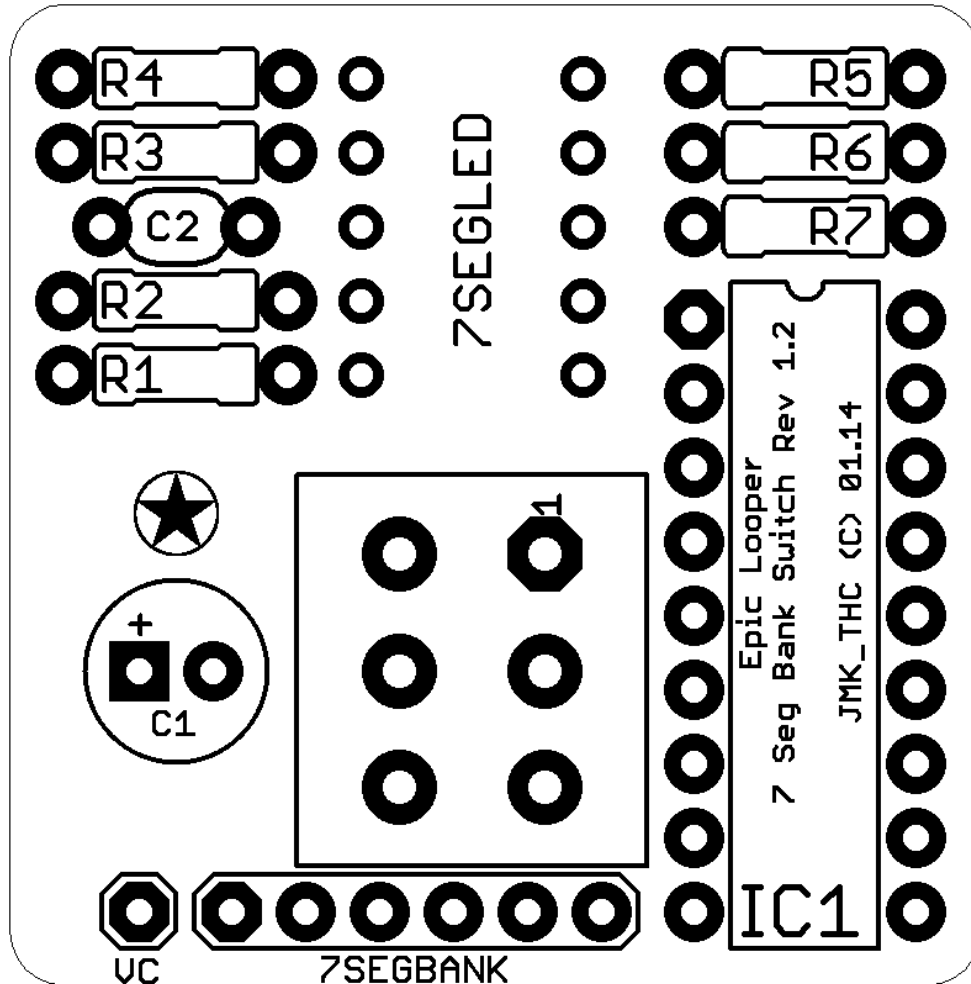


JMK PCBs/THC EFFECTS PRESENTS...

# 7 SEG BANK SWITCH

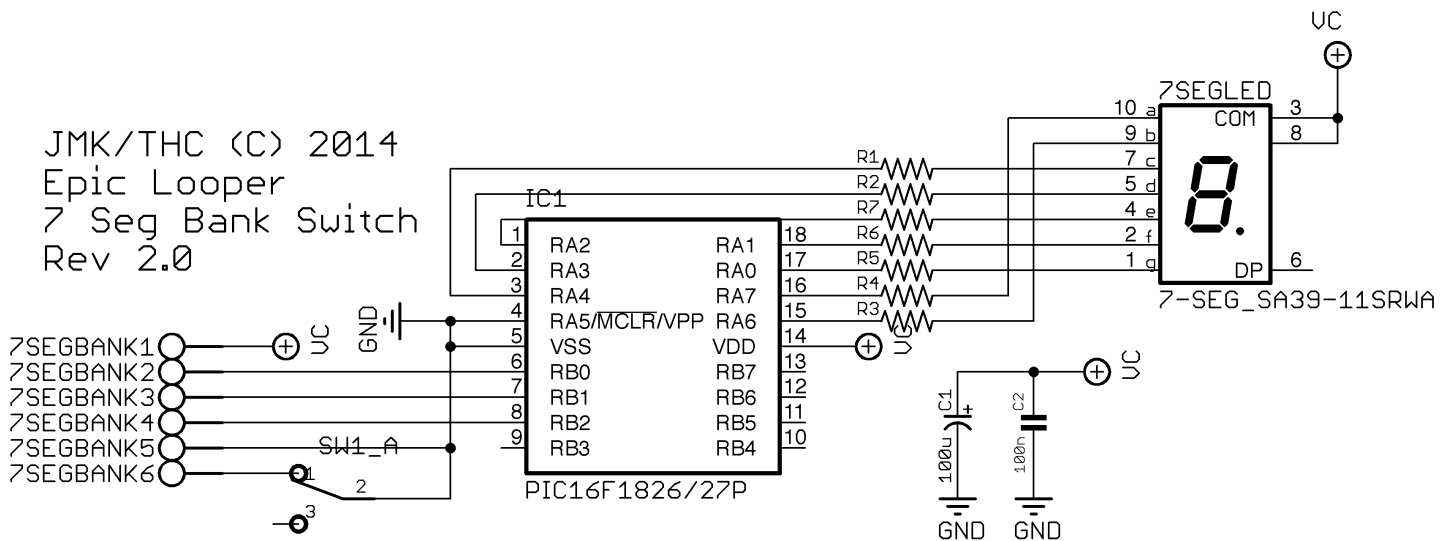
PCB AND SCHEMATIC ARTWORK (C) 2014 JMK PEDALS

VERSION 2.0: 01/25/2014



Resistors		Capacitors		Semiconductors			
R1	1K	R5	1K	C1	100uF	IC1	Microcontroller
R2	1K	R6	1K	C2	100nF	Other	
R3	1K	R7	1K			SW1	Momentary DPDT
R4	1K					7SEGLEDD	10mm 7 Seg LED

This Document is designed for personal use only! Do not use this to create a product for sale without permission of it's owner: [jmkpcbs@gmail.com](mailto:jmkpcbs@gmail.com)



## BUILD NOTES

- The 7 Seg Bank Switch is an add-on PCB for the Epic Looper project available from JMK PCBs and THCustom Pcb. Please note: **the 7 Seg Bank Switch is NOT a standalone PCB, you MUST use it in conjunction with the Epic Looper.**
- The 7 Seg Bank Switch replaces the Bank Switch PCB that comes with the Epic Looper. The reason it was not included in the first version is simple - it's complicated enough that it requires it's own Microcontroller which adds to the complexity and cost, it uses more expensive parts. Overall, it brings the cost and complexity of the entire build up a bit. Because of that, we've released it as an 'add on' type of PCB, which allows the builder of the Epic Looper project to choose whether they would like to include it in their build or not.
- Hooking up the PCB is pretty simple because it essentially replaces the original Bank Switch PCB that comes with the Epic Looper project. Rev 2.0, which this build doc covers, essentially puts the 7 Segment LED centered on the same hole as the original version's RGB LED would have been at. If a builder desired, they could simply enlarge the hole they had already drilled for the original Bank Switch LED, which would allow them to see the 7 Segment LED.
- There are some very specific parts needed for this build, particularly the Micro controller which is supplied, and the 7 Segment LED. For the LED, we recommend a 10mm Kingbright Common Anode type. You can find the unit in several colours. This [link](#) leads to Mouser's menu to select one.
- The unit is designed so that the switch and 7 Segment LED mount to the **BOTTOM** of the PCB, while the other components mount to the **TOP** of the PCB. Flipping these around will not allow the 7 Segment LED to work properly.
- Micro controllers are sensitive ICs, and because of their nature as reprogrammable devices, **We highly recommend socketing your IC!** This allows the builder the option of replacing it if it stops working or if updated firmware is released.

# WIRING DIAGRAM

